
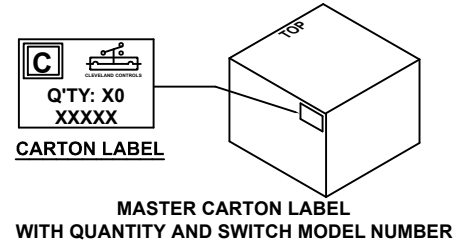


SPECIFICATIONS

MODELS: RFS-4001-047

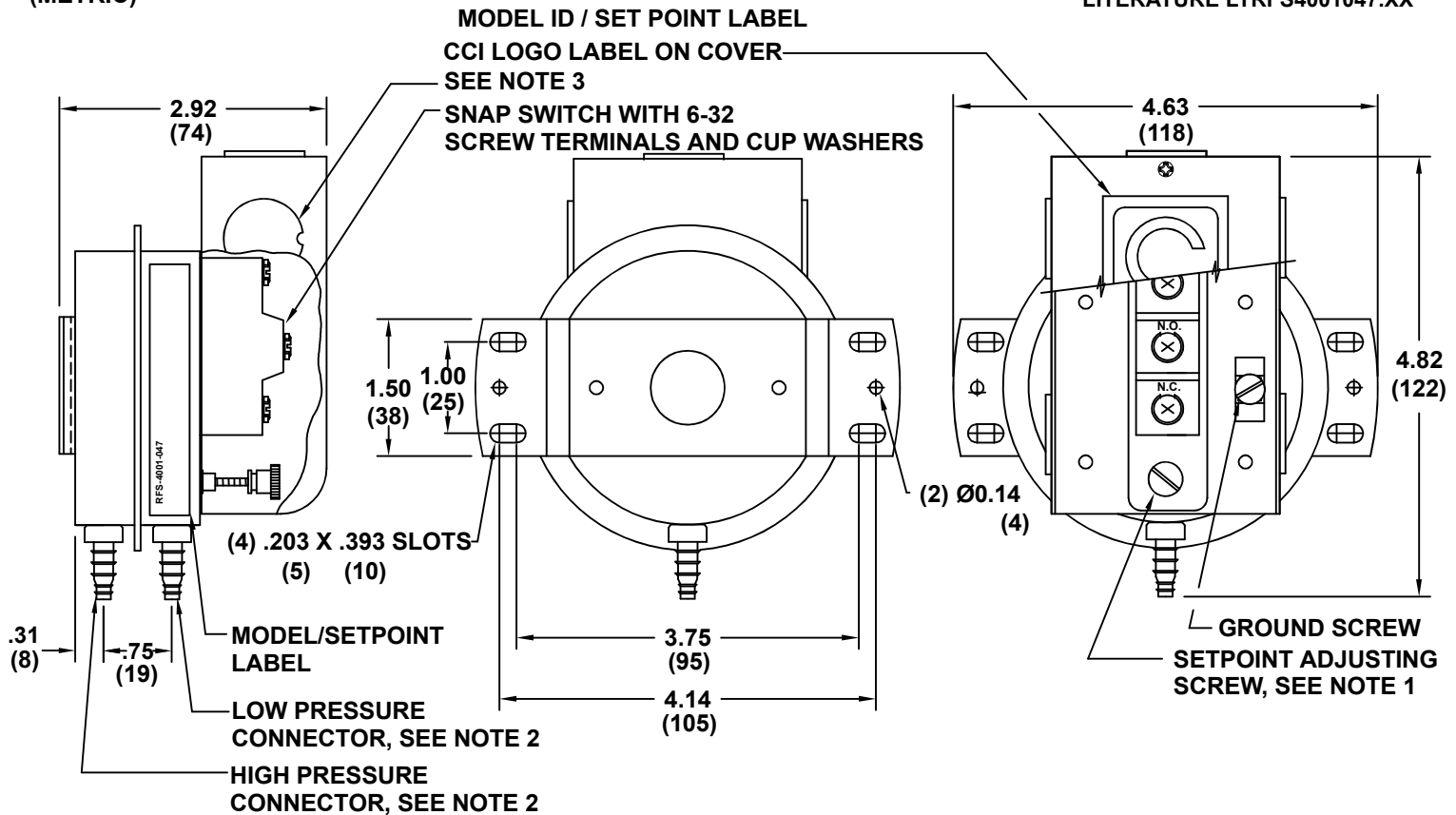
- 1.0 Mounting Position: Diaphragm Vertical (See Diag. Below).
- 2.0 Set Point: Field Adjustable from 0.15" ±0.02" W.C. to 5.0" W.C.
- 2.1 Approximate Switch Differential: Progressive, Increasing From 0.05 ±0.02" W.C. at Minimum Set Point to Approximately 0.3" W.C. at Maximum Setpoint.
- 3.0 Measured Media: Air.
- 4.0 Operating Temperature Range: -40° to 180°F (-40° to 82°C).
- 5.0 Life: 100,000 Cycles Minimum At 1/2 PSI Maximum Pressure Each Cycle and at Maximum Rated Electrical Load.
- 6.0 Electrical Rating.
- 6.1 15 Amp Non-inductive to 277VAC (60 Hz).
- 6.2 300VA Pilot Duty at 115 to 277VAC (60Hz).
- 7.0 Snap Switch Logic: SPDT.
- 7.1 Position of Contacts Before Pressure is Applied: 



- NOTE 1. Adjustment Screw - Turn Clockwise to Increase Set Point.
 NOTE 2. Sample Line Connectors Will Accept 1/8" ID or 1/4" ID Flexible Slip-On Tubing.
 NOTE 3. Switch Enclosure Will Accept (5) 1/2" Conduit Connections.
 NOTE 4. (2) #6 x 3/8" Self-Tapping Screws Supplied for Mounting Switch.
 NOTE 5. Approval or Recognition By: UL/CUL File MH6213.

**DIMENSIONS
INCH
(METRIC)**

CLEVELAND CONTROLS DIVISION OF UNICONTROL INC. CLEVELAND, OHIO USA DATE CODE	MODEL: RFS-4001-047	RoHS Compliant
	MOUNT WITH DIAPHRAGM IN ANY VERTICAL PLANE (MONTÉ AVEC LA MEMBRANE DANS UN PLAN VERTICAL) ADJUSTABLE SET POINT RANGE: CHANGE CONTACTS ON INCREASING PRESSURE FROM 15 ± 0.2 TO 5.0 IN W.C. OPERATING TEMPERATURE RANGE: -40° TO 180° F (-40° TO 82° C) SAMPLE MEDIA: AIR - MAXIMUM PRESSURE: 1/2 PSI	300 VA PILOT DUTY AT 120 TO 277VAC 15A NON-INDUCTIVE TO 277VAC 50/60 HZ FIELD WIRING TO BE 90° C USE COPPER CONDUCTORS ONLY



CLEVELAND CONTROLS DIV. OF UNICONTROL INC. MAKES NO REPRESENTATION OR WARRANTY CONCERNING THE SUITABILITY OF THIS DEVICE FOR A SPECIFIC APPLICATION OR PRODUCT. IT IS THE RESPONSIBILITY OF THE USER TO VERIFY THE SUITABILITY OF THIS DEVICE FOR THE SPECIFIC APPLICATION. WHERE AN OPERATING CONTROL FAILURE WOULD RESULT IN PERSONAL INJURY AND/OR LOSS OF PROPERTY, IT IS THE RESPONSIBILITY OF THE USER TO ADD DEVICES OR SYSTEMS THAT PROTECT AGAINST, OR WARN OF, FAILURE OF THIS DEVICE.

G	3451-2	11/8/18	MJA	FL
F	3451-1	10/7/16	MJA	FL
E	5683-3	8/11/15	MJA	FL
D	5456	10/14/11	MJA	FL
C	5171	8/27/10	MJA	FL
REV	DCN No.	DATE	BY	CHKD

SENSING SWITCH SPECIFICATIONS	
CLEVELAND CONTROLS MODEL RFS - 4001 - 047	

DRAWING RELEASE No. 3451			
DWN	DATE	CHKD	
MJA	6/28/05	FL	
CHKD	DATE	SCALE	
FL	6/28/05	NONE	

THIS PRINT IS THE EXCLUSIVE PROPERTY OF CLEVELAND CONTROLS AND CANNOT BE REPRODUCED IN WHOLE OR IN PART OR ISSUED OR DISCLOSED TO THIRD PARTIES WITHOUT THE EXPRESS WRITTEN CONSENT OF CLEVELAND CONTROLS.		USED ON	SHEET 1 OF 1
Cleveland Controls Division of UniControl Inc. 1111 Brookpark Rd. Cleveland, Ohio 44109-5825		A28969-047	G REV
.XX = ±.015	.XXX = ±.005	ANGLES = 1	